

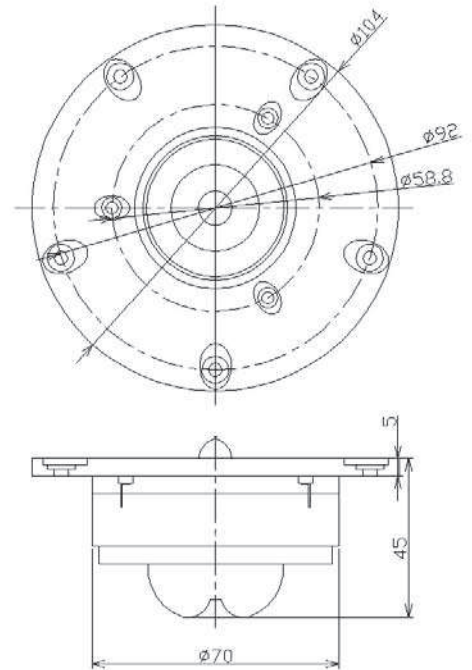
# High-end Tweeter Speaker

## TPA XT25-04, TPA XT25-08



### Features

- Dual Ring Silk Dome
- Wave-guide Center Phase Plug
- Phase Plug Extended High Frequency Response
- 25mm Voice Coil With Cooling Holes
- High-energy Strontium Magnet
- Rear Acoustic Chamber For Low Fs and Flatter Wider Response
- Low Distortion

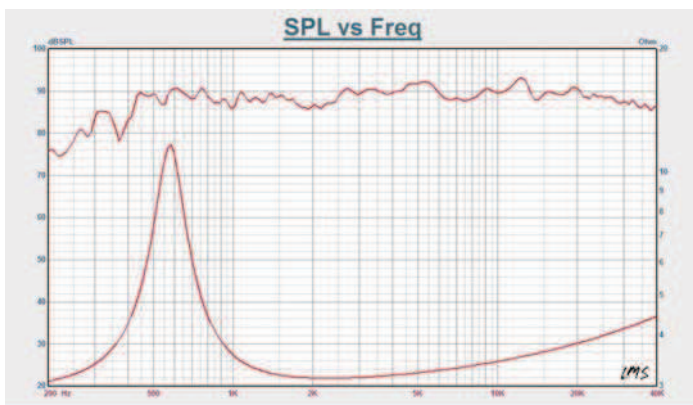


### Specifications

Type	XT25-04	XT25-08
Nominal Impedance	4 $\Omega$	8 $\Omega$
DC Resistance	3 $\Omega$	6.8 $\Omega$
Frequency Range	1500 - 40000Hz	
Free Air Resonance Fs	550 Hz	
Characteristic Sensitivity (1W, 1m)	90 dB SPL	
Efective Cone Diameter	30 mm	
Voice Coil Inner Diameter	25.7 mm	
Voice Coil Former Material	Aluminium	

### Frequency and Impedance Response

TPA XT25-04



TPA XT25-08

